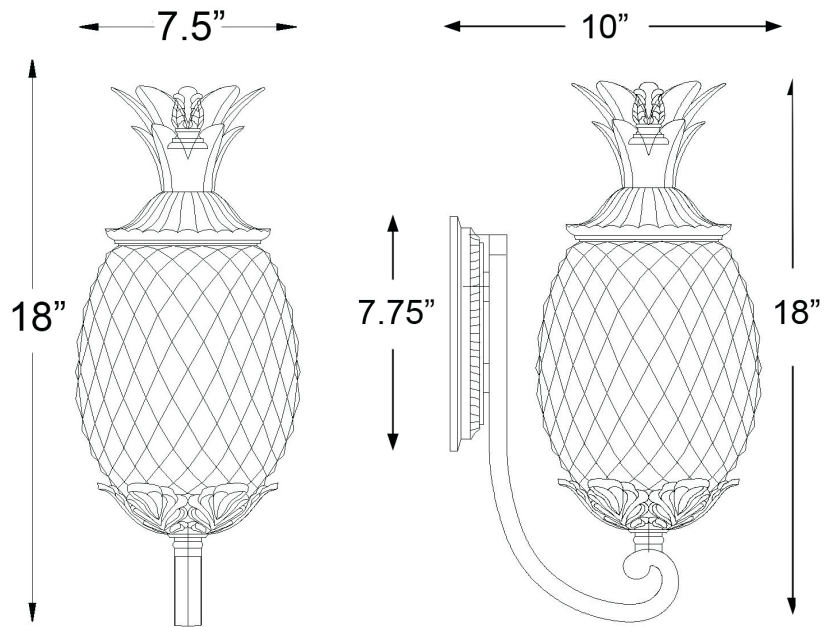


# 7501BK

## LANAI 2-LIGHT WALL LANTERN



<b>Description:</b>	Lanai 2-light upward wall lantern
<b>Finish:</b>	Matte black
<b>Dimensions:</b>	7-1/2" W x 18" H x 10" ext. Height on center: 8-1/4"
<b>Bulbs:</b>	2-60w candelabra
<b>Installed Weight:</b>	4.85 lbs.
<b>Certification:</b>	Wet location / c UL

<b>Material:</b>	Cast aluminum
<b>Shade:</b>	Glass
<b>Glass:</b>	Clear pineapple cut
<b>Back Plate Dimensions:</b>	4-3/4" x 7-3/4"
<b>Chain/Wire:</b>	NA
<b>Additional Finishes:</b>	Black coral